

IMPORTANT! READ AND FOLLOW THESE INSTRUCTIONS CAREFULLY AND KEEP FOR FUTURE REFERENCE

If you sell or give away this product, make sure you give this instruction to the new owner.

⚠ WARNING

WARNING – Incorrect installation can be dangerous

WARNING – Do not use the safety barrier if any components are damaged or missing

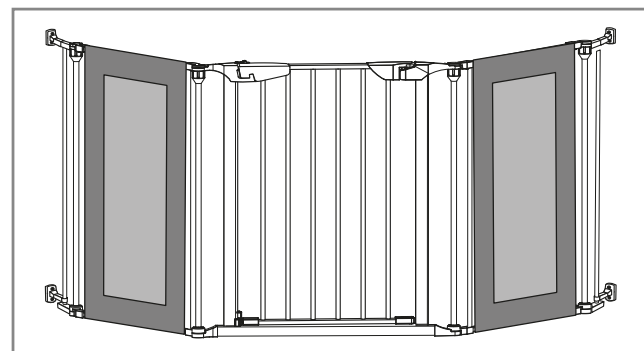
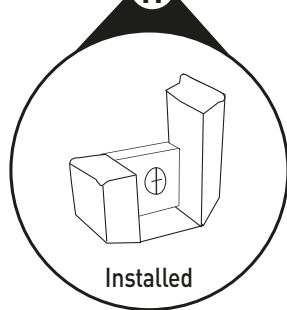
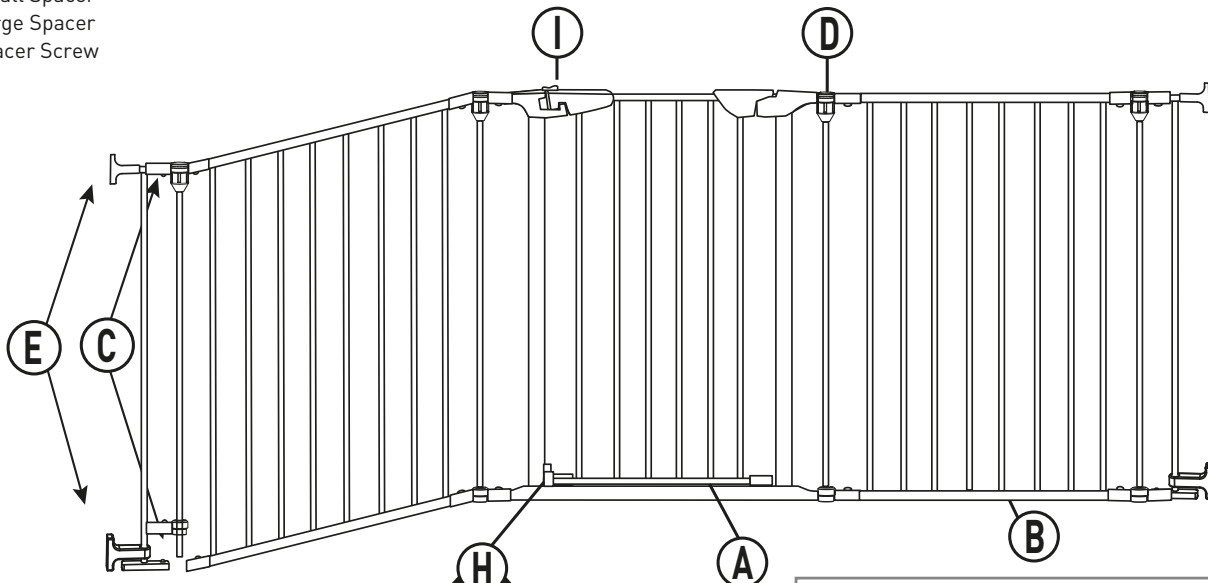
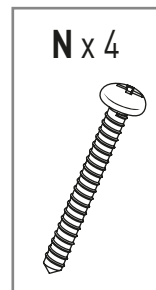
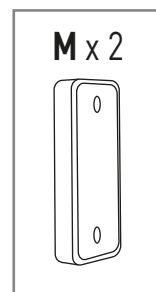
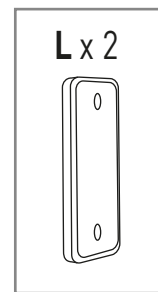
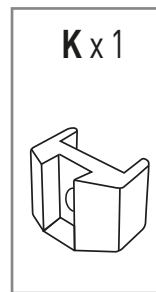
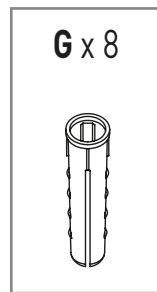
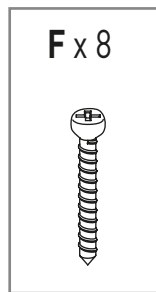
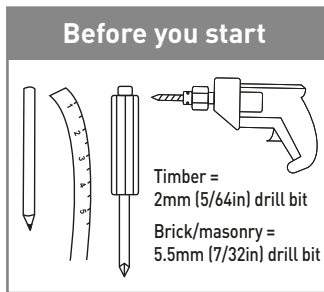
WARNING – The safety barrier must not be fitted across windows

- This gate is for domestic use only.
- Suitable for children up to 24 months.
- The surfaces that the gate is to be fixed to must be suitable for purpose and structurally sound.

- Never use without securely installed wall brackets
- Never use with a child able to climb over or dislodge/open the gate.
- This gate has a manual close system.
- Gate can be used to create a landing area at the top or base of stairs. Never use at top of stairs directly across top step.
- **NEVER** leave a child unattended.
This product does not replace adult supervision.

COMPONENTS

- A** Gate Panel
- B** Barrier Panel
- C** Release Button
- D** Tension Knobs
- E** Wall Mount (x2)
- F** Screws (x8)
- G** Masonry Plugs (x8)
- H** One-Way Stopper
- I** Gate Release Switch
- K** 2 Way Switch
- L** Small Spacer
- M** Large Spacer
- N** Spacer Screw



⚠ WARNING: This package contains small parts and sharp points in an unassembled state. Keep out of reach of children. Adult assembly required.

INSTALLATION

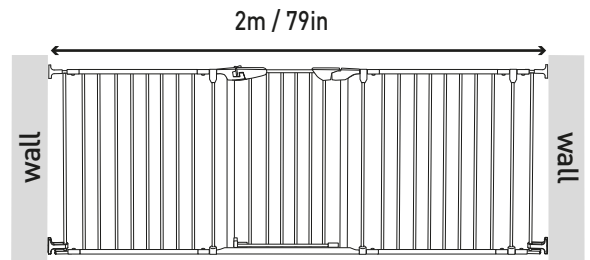
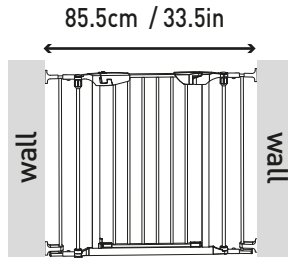
1. Choose the best location for mounting Gate.

Ensure the surface you are mounting the Gate to is structurally sound such as solid timber, brick or masonry. For plaster/gyprock surface, locate the timber beam or stud behind and mount in this location (mounting on plaster/gyprock alone is not strong enough and not safe). Do not mount to glass.

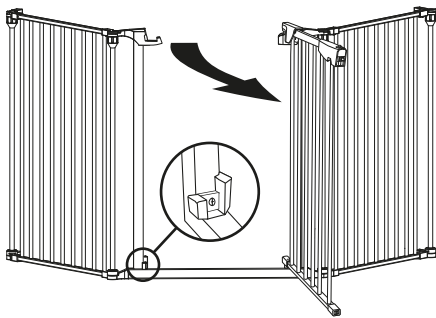
This Adapta-Gate® fits openings from 85.5cm / 33.5in up to 2m / 79in



Measure the gap where the gate will be installed.

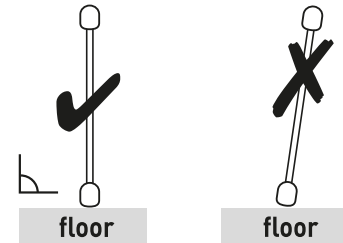


Decide on the gate opening direction



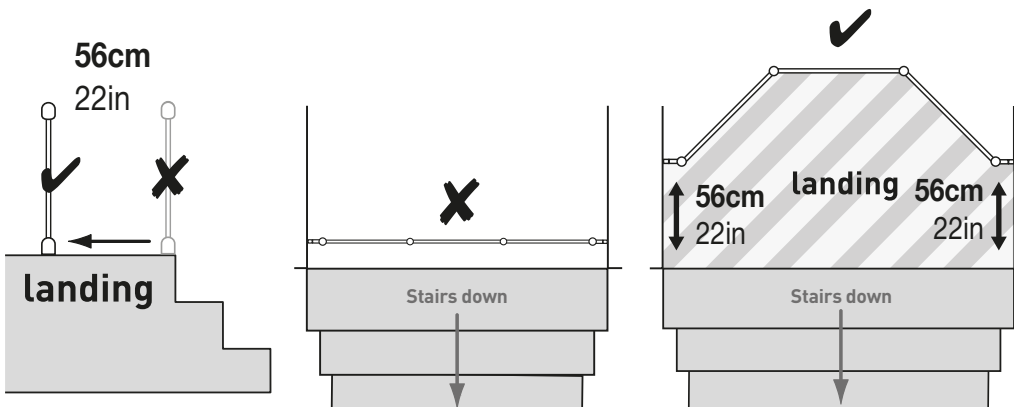
The gate is fitted with a One-Way Stopper which restricts the swing to one direction. It is important to choose which direction you want the gate to swing prior to installation. Ensure that the position allows for the gate to fully open to enable the Stay-Open feature to work. Alternatively, replace One-Way Stopper with 2-Way Switch (K).

Side view of gate

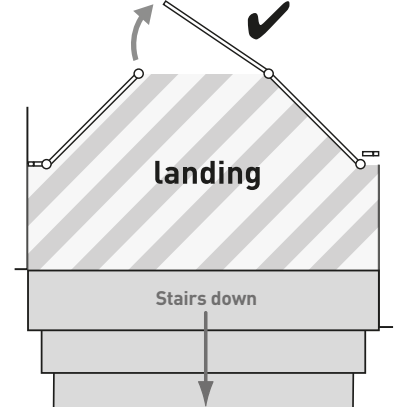


Make sure that the gate can be mounted evenly in vertical positions.

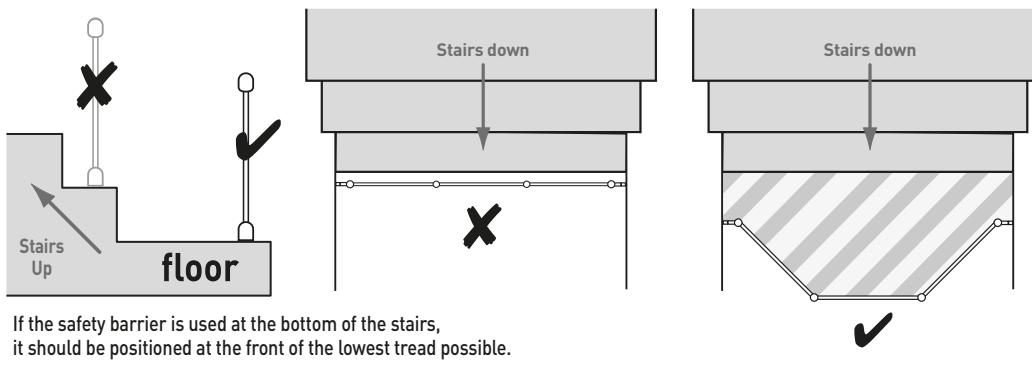
Placement of gate top of stairs



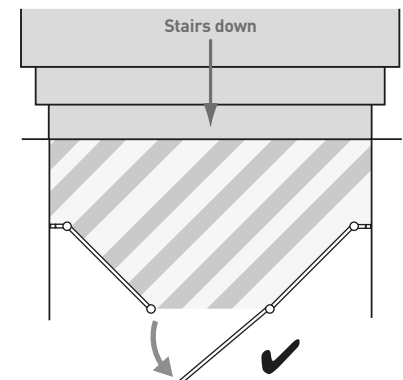
If the safety barrier is used at the top of stairs, it should not be positioned below the top level. At the top of landing, position the gate 56cm / 22in away from the top step.



Placement of gate base of stairs



If the safety barrier is used at the bottom of the stairs, it should be positioned at the front of the lowest tread possible.

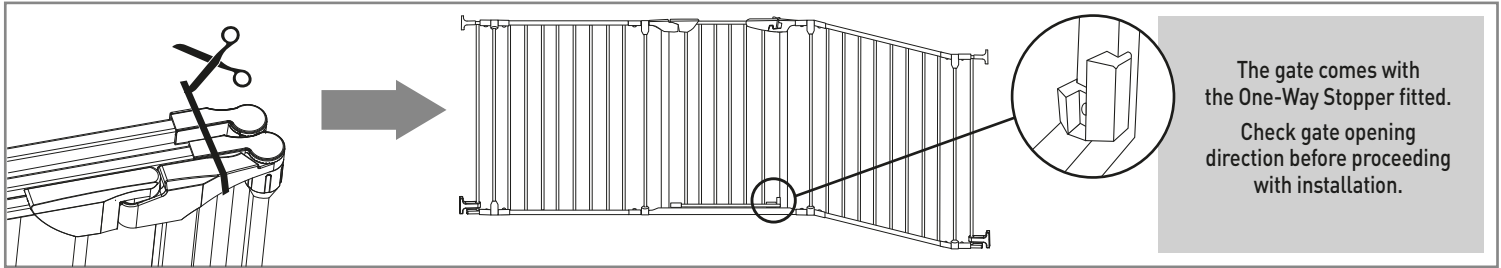


Gate can be used to create a landing area at the top or base of stairs. Never use at top of stairs directly across top step.

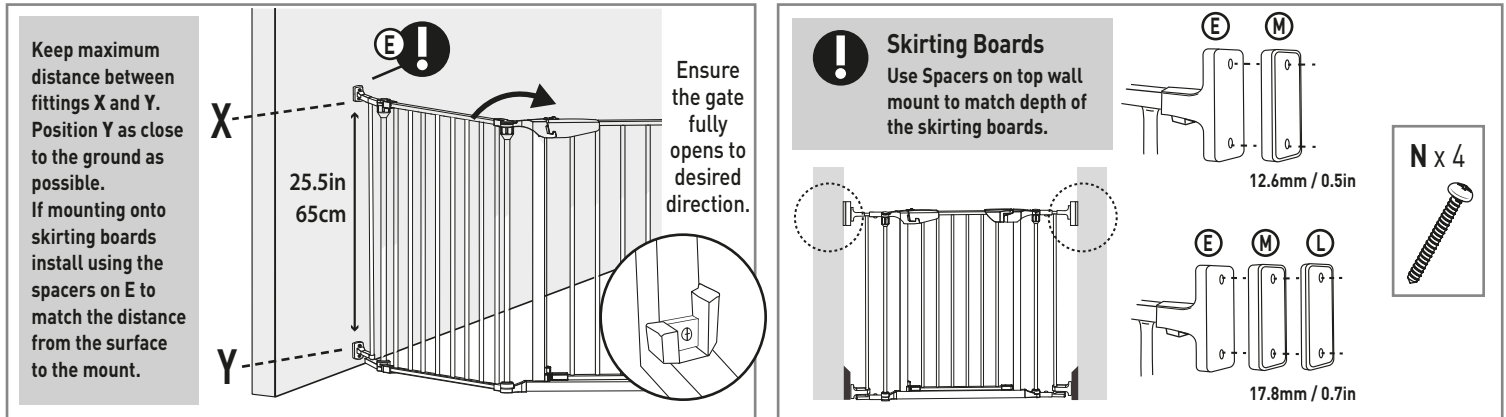


Ensure gate swings open away from stairs.

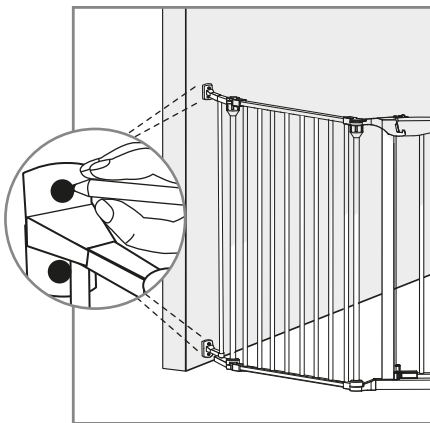
2. Cut tie and unfold Gate (A) and Gate Panels (B).



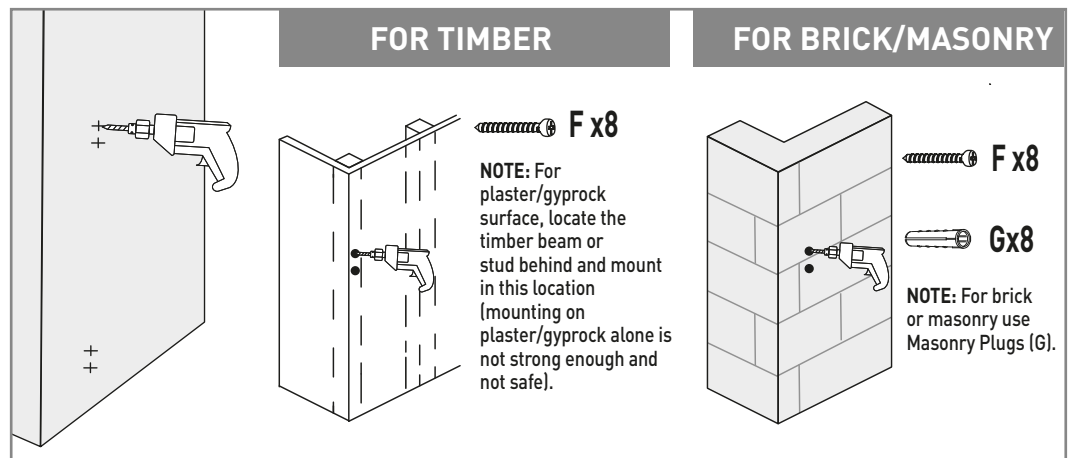
3. Position gate on the floor in desired location with Wall Mounts (E) flat against the wall.



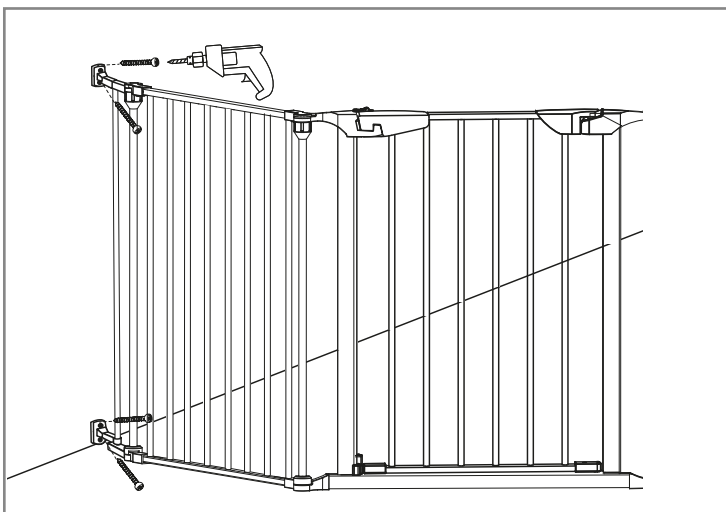
4. Use pencil to mark screw holes positions.



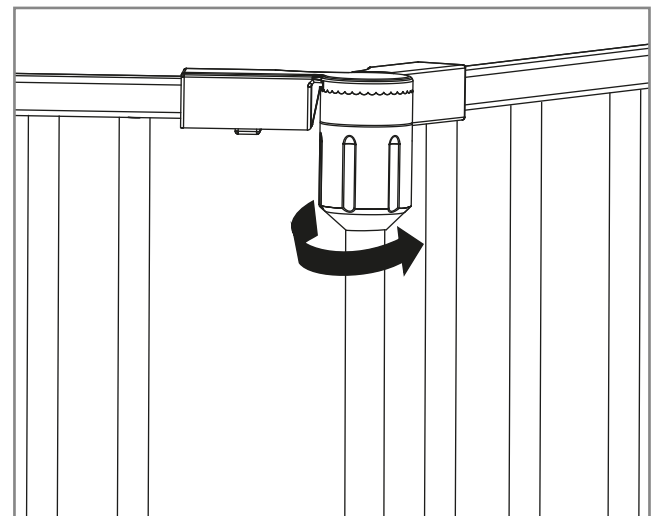
5. Remove Barrier Gate and drill pilot holes for screws.



6. Reposition Gate and drill screws into place.

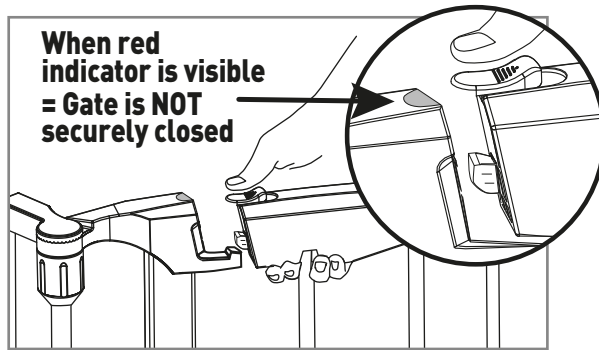
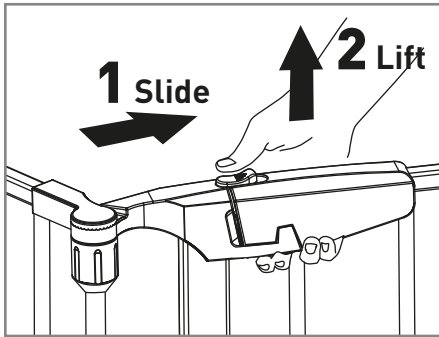


7. Tighten each Tension Knob (D) to secure the position.



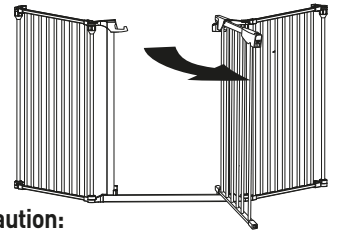
GATE OPERATION

Slide the Release Switch (I) and lift gate panel (A). **Caution: Keep gate closed when children are present.** Swing gate closed ensuring locks are engaged.



SMART STAY-OPEN SYSTEM

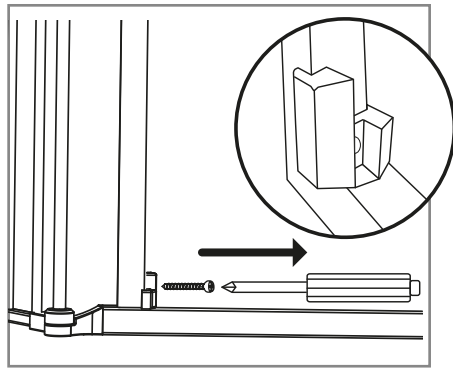
To engage the Smart Stay-Open System swing gate to its maximum opening. Gate will stay open. Close as required.



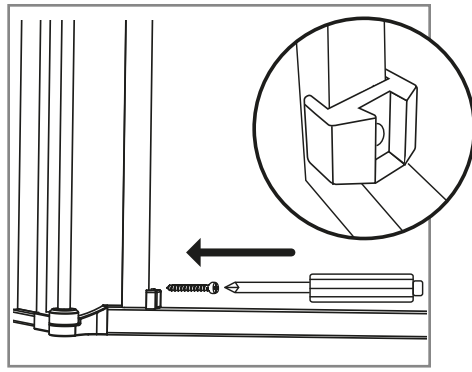
Caution: This gate has a manual close system. Keep gate closed when children are present.

ONE-WAY STOPPER / 2 WAY SWITCH

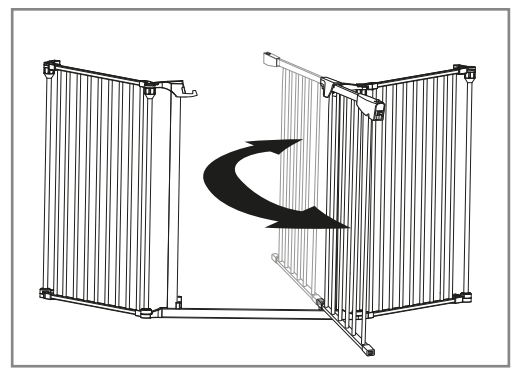
Using a Philips screwdriver, remove the screw holding the One-Way Stopper (H) in place.



Remove One-Way Stopper (H) and replace with the 2 Way Switch (K). Replace the holding screw.

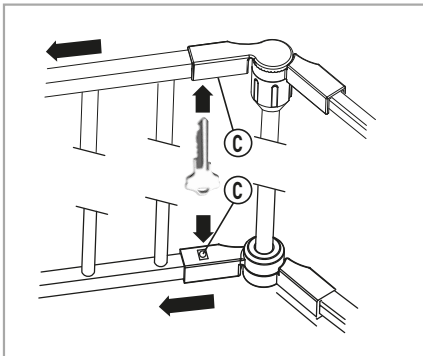


The gate will swing in both directions.

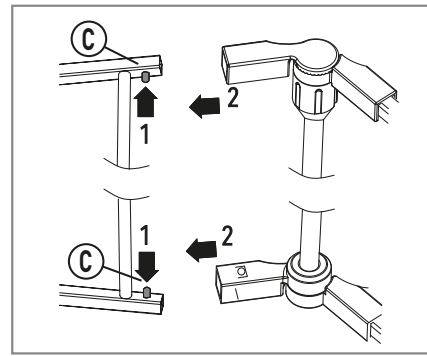


TO REMOVE OR ADD PANELS

To remove Panels or Wall Mounts use a key to depress the Release Button (C).



To add Panels. Push Release Button (C) and click into place.



Adapta-Gate® can be extended with up to 5 additional panels.

To purchase extra panels (F2040/2041/F2061/F2069) go to www.dreambaby.com.au

MAINTENANCE & CARE

- Gate must be fitted according to instructions to ensure it works correctly.
- Regularly check the Gate to ensure it is secure. Adjust as required.
- Regularly check that Wall Mounts and Tension Knobs are securely in place.

- Do not use the safety gate if any components are damaged or missing.
- To clean, wipe surface with a damp cloth using mild detergent and warm water. Never clean with abrasive, ammonia, bleach based or spirit type cleaners.
- Any additional and replacement parts should be obtained from Tee-Zed Products.

DREAMBABY®

Tee-Zed acknowledges that its customers may be entitled to statutory consumer guarantees and does not seek to exclude or limit them. These guarantees include that Tee-Zed's products are of acceptable quality. This Tee-Zed product is for the specific purpose detailed in the instructions and packaging and Tee-Zed considers use outside of that purpose to be abnormal use. To the maximum extent permitted by law, Tee-Zed does not accept any liability for damage:

- arising from abnormal use of the products;
- caused by installation or removal of the products other than in accordance with the supplied installation and removal instructions; or
- arising under the law of tort or contract.

Tee-Zed Products Pty Ltd,
PO Box 2022,
Bondi Junction NSW 1355
Australia
☎ +61 (0)2 9386 4000
✉ info@tee-zed.com.au
www.dreambaby.com.au

Tee-Zed Products (N.Z.) Ltd
PO Box 64013,
Botany Town Centre, Auckland
New Zealand
☎ +64 (0)9 274 8788
✉ info@tee-zed.co.nz
www.dreambaby.co.nz

Tee-Zed Products Ltd
PO Box 29227,
Dunfermline, KY12 2DN
United Kingdom
☎ +44 (0)844 800 9445
✉ info@tee-zed.co.uk
www.dreambaby.co.uk



4

Dreambaby® products by Tee-Zed
Made in Zhejiang, China
©2020 Tee-Zed Products Pty Ltd

[dreambabytv](https://www.youtube.com/dreambabytv)

[dreambabysafety](https://www.dreambabysafety.com)